

Linear

A NORTEK COMPANY

(619) 438-7000 - FAX (619) 438-7043
USA & Canada (800) 421-1587 & (800) 392-0123
Toll Free FAX (800) 468-1340

TECHNICAL BULLETIN

#209234

SAFETY NOTICE - UL REQUIREMENT

For all UL fire/burglary or medical alert installations, the CP-90 control panel's cabinet door must be grounded. Use the enclosed green grounding wire assembly and refer to the figure below to ground the CP-90 cabinet door.

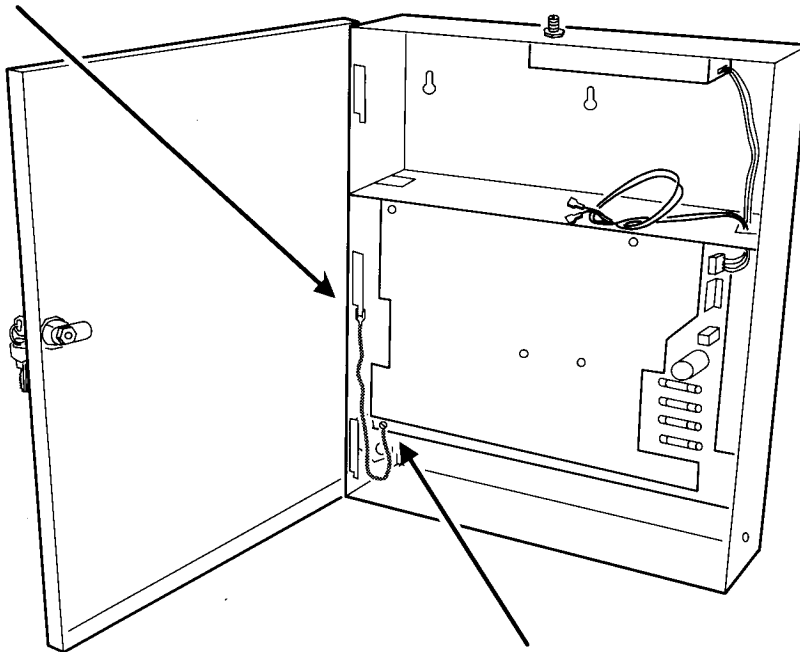
Slide the push-on lug onto the middle door hinge tab and connect the spade lug to the CP-90 EARTH GROUND terminal.

If the door is removed for servicing the CP-90, the push-on lug should be removed with needle nose pliers by squeezing and rocking the base of the push-on lug. **DO NOT REMOVE THE PUSH-ON LUG BY PULLING ON THE GREEN WIRE.**

*** WARNING: When servicing the CP-90, be careful that the grounding wire lug does not contact any other wires or components inside the CP-90. Damage may result to the CP-90 if the ground wire contacts live circuits.**

After servicing the panel, replace the push-on lug onto the middle door hinge tab.

SLIDE PUSH-ON LUG
ONTO MIDDLE DOOR HINGE



CONNECT SPADE LUG
TO THE EARTH GROUND
TERMINAL ON THE CP-90